

Applicable Model
R25A

Drawing Title
Intercom Panel

Drawing Unit
mm

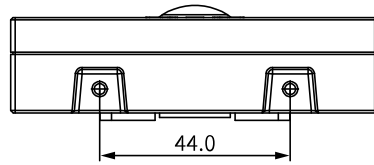
Drawing Scale
Not to Scale

DRAFT
SUBJECT TO
CHANGE

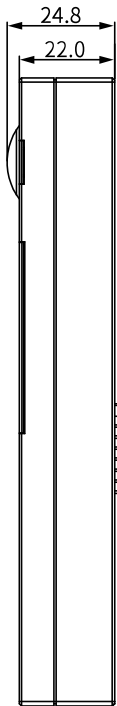
Last Revised
Aug 27, 2024

Drawing Version
V1.0

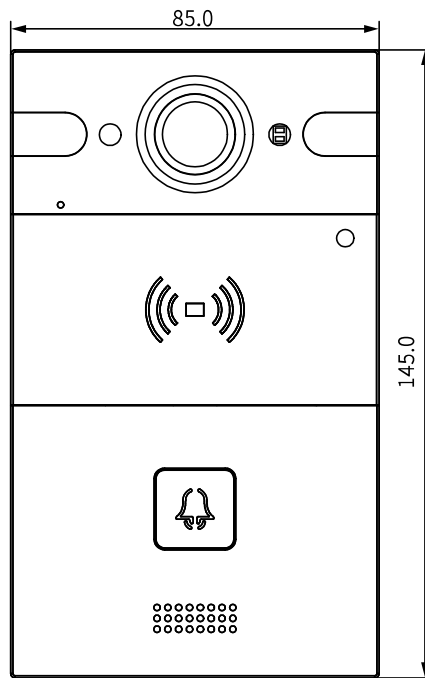
Page
1 of 3



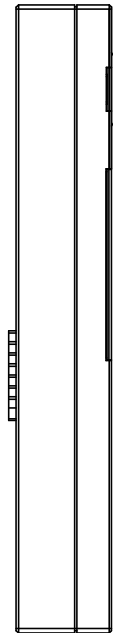
⑥ **BOTTOM VIEW**



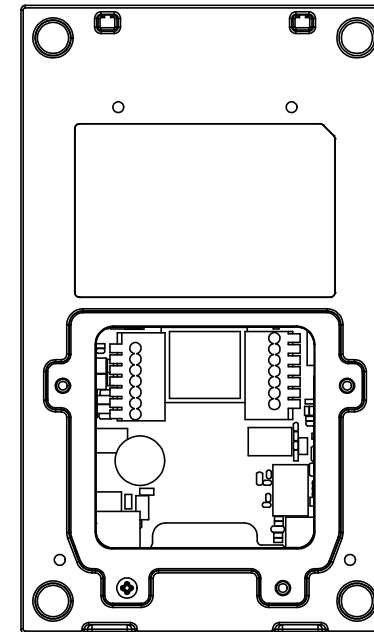
② **RIGHT VIEW**



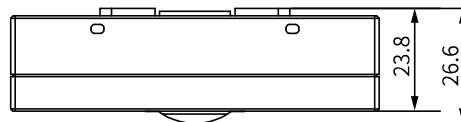
① **FRONT VIEW**



③ **LEFT VIEW**



④ **BACK VIEW**



⑤ **TOP VIEW**

Applicable Model

R25A

Drawing Title

Wall Mounting Bracket

Drawing Unit

mm

Drawing Scale

Not to Scale

DRAFT
SUBJECT TO
CHANGE

Last Revised

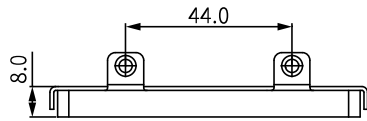
Aug 27, 2024

Drawing Version

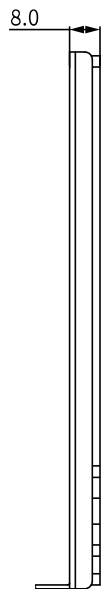
V1.0

Page

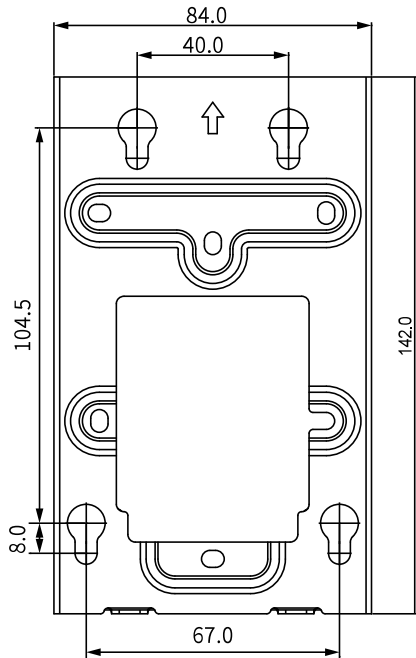
2 of 3



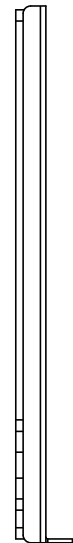
⑥ **BOTTOM VIEW**



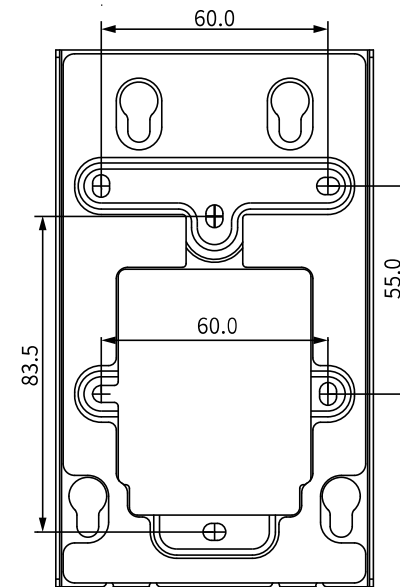
② **RIGHT VIEW**



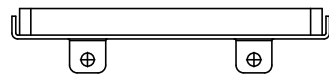
① **FRONT VIEW**



③ **LEFT VIEW**



④ **BACK VIEW**



⑤ **TOP VIEW**

Applicable Model
R25A

Drawing Title
Placement

Drawing Unit
mm

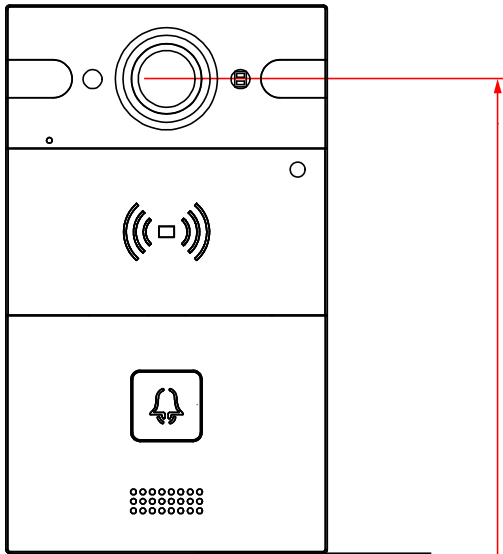
Drawing Scale
Not to Scale

DRAFT
SUBJECT TO
CHANGE

Last Revised
Aug 27, 2024

Drawing Version
V1.0

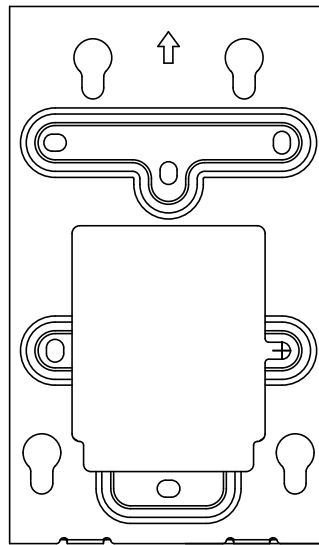
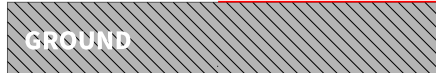
Page
3 of 3



① INTERCOM PANEL FRONT VIEW

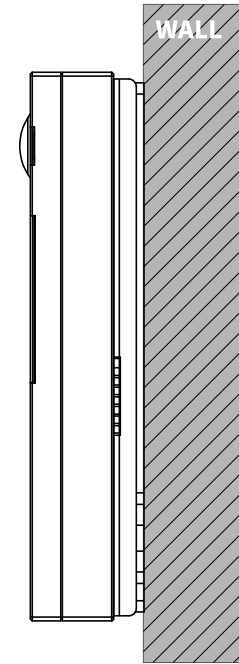
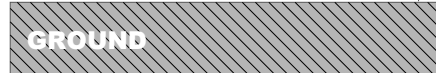
1374.5mm TO BOTTOM OF PANEL
1500mm TO CENTER OF CAMERA

ADA Compliance Requirement



② FRONT VIEW: WALL MOUNTING BRACKET PLACEMENT

1374.5mm TO BOTTOM OF BRACKET



③ SIDE VIEW: INTERCOM PANEL ON WALL